

DOYPAK

Standard Features

- * Rugged stainless steel tubular frame and control box
- * 10.4" Color touchscreen operator panel
- * Controlled by PLC
- * Servomotor controlled film pull system
- * Servomotor controlled horizontal sealing mechanism
- * Powered film unwind
- * "Out of film" warning
- * 100 program storage
- * CE compliance
- * Non-proprietary parts
- * Flexibility and ease in replacement of sealing systems for contract packagers
- * User-friendly , easy to maintain
- * Contemporary design
- * Suitability in software to interface with all sorts and brands of dosing system (multihead scales, volumetric fillers, auger fillers, liquid fillers etc.)



VERTICAL FORM-FILL-SEAL BAGMAKER

Performance

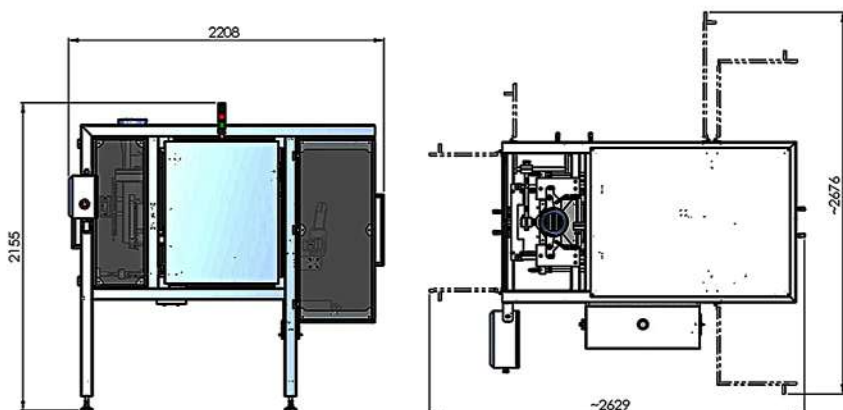
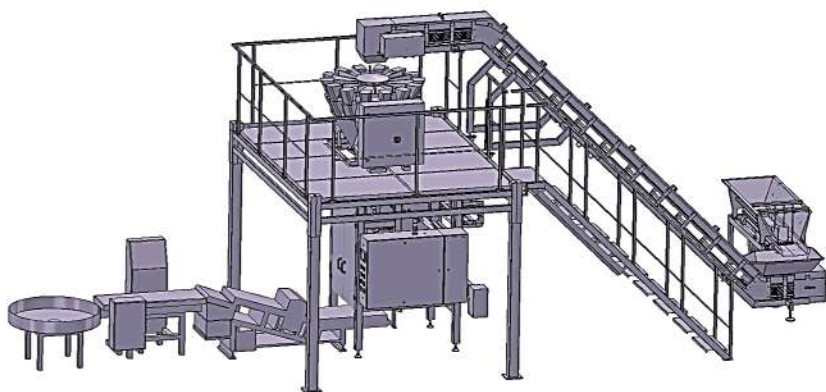
- * Up to 130 bags/min. (depending upon packaging material bag length and dosing system)
- * Maximum bag dimensions up to : 500 mm wide x 550 mm long Minimum bag dimensions : 51 mm wide x 76 mm long (depending on model)
- * Bag styles : Pillow, block-bottom, gusseted, zipper-applied stand hole (e.g.eurohole), saddle bags – chain of bags, quad bags

Optional Features

- * Phoeve for printed/registered films
- * Hole punch seal jaws
- * Side-tuckers for gusseted bags, block-bottom bag attachment gas flush unit, product stager, load shelf zipper applicator, valve applicator, date coders, labelers carousel unit.
- * Suitability for wet environment.

Technical Specifications

- * Electricity : 380 Volt+N+PE+4.5 KVA AC/50Hz
- * Air : Dry and clean 6 bars 54NL/min. (excl. air cooling and optionals)
- * Mechanical speed : Up to 200 cycles/min.
- * Weight : approx. 450kg-570kg (depending on optional accessories)



Dimensions are subject to changes without prior notice.

